



# Thermostatic

## Sequential mono basin mixer - TMV3

Product Code: SOL003

Finish: Chrome

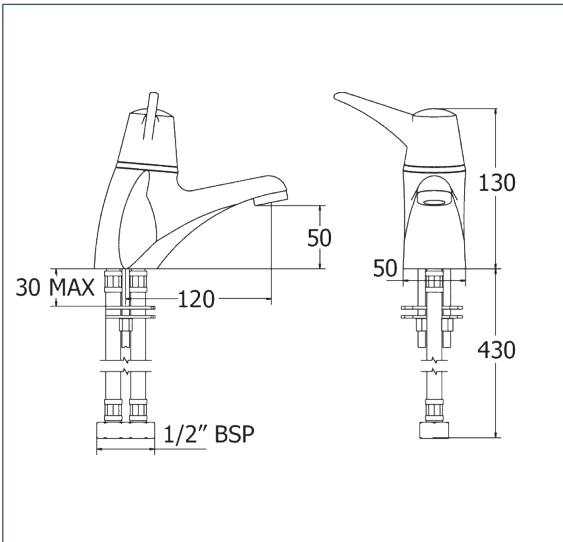
### Features

Construction:	Brass
Valve/Cartridge type:	Thermostatic
Supply:	Suitable for all plumbing systems
Working Pressures:	0.2 - 5.0 bar
Inlet connections:	1/2" BSP
Flexi or Copper:	Flexi Tails

- Ultimate thermostatic performance to TMV3 standards
- Sequential flow and temperature control for ease of use



\*Please refer to website for full warranty details.



### Flow (Bar - l/min, open outlet)

#### Spout

Flow 0.1	Flow 0.3	Flow 0.5	Flow 1.0	Flow 2.0	Flow 3.0	Flow 4.0	Flow 5.0
1.9	4.6	6.2	9.4	13.7	16.8	19.6	22.2



2006075



NSF2147/0519